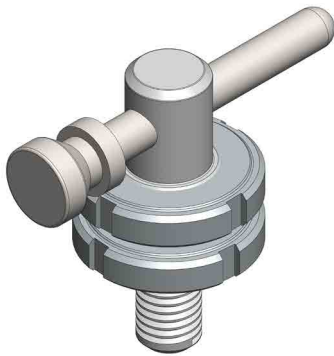
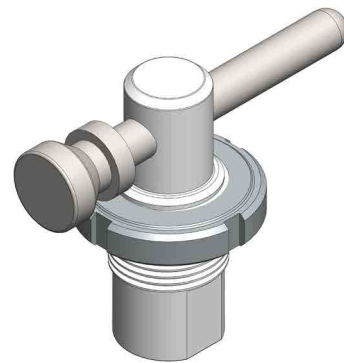


QUICK COUPLINGS FOR SECURING actuators, sensors, clamps.

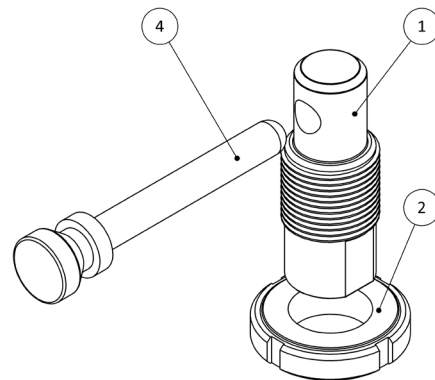
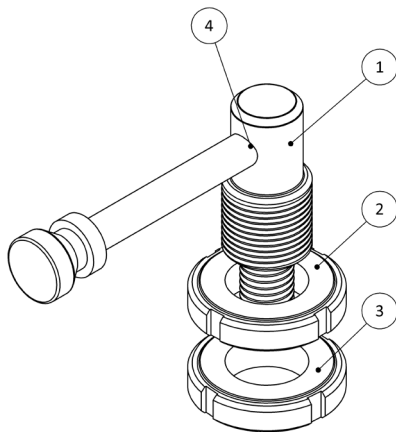
The quick securing and coupling pins, in the A-AV-10 series, are made of steel with surface protection treatment and are compatible with the entire range of test accessories for LiTeM pneumatic and electrodynamic machines. They are particularly suitable for static and dynamic testing.



AV-10-M Coupling



AV-10-F Coupling



A-AV-10-M (male) includes

Ref.	Qty.	Part
1	1	Male coupling pin
2	1	Clamping collar M20x1.5
3	1	Bottom clamping collar
4	1	Lock pin

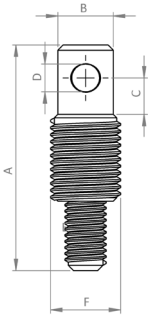
A-AV-10-F (female) includes

Ref.	Qty.	Part
1	1	Female coupling pin
2	1	Clamping collar M20x1.5
3	1	Lock pin

Al fine di migliorare le prestazioni tecniche del prodotto, la società si riserva di apportare variazioni senza preavviso.
In order to improve the technical performances of the product, the company reserves the right to make any change without notice.

A-AV-10 Couplings

Technical specifications



Male coupling pin

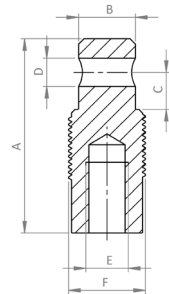
Code	Description	A	B	C	D	F	E
		mm					
A-AV-10-M_12	Adapter M12m/M20m-D16						M12
A-AV-10-M_16*	Adapter M16m/M20m-D16	55	15.9	10.5	8h7	M20x1.5	M16*
A-AV-10-M_20	Adapter M20m/M20m-D16						M20x1.5

*Available M16x1,5

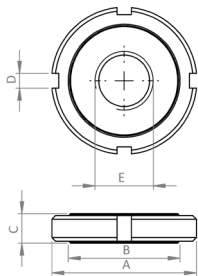
Female coupling pin

Code	Description	A	B	C	D	F	E
		mm					
A-AV-10-F_12	Adapter M12m/M20m-D16						M12
A-AV-10-F_16*	Adapter M16m/M20m-D16	55	15.9	10.5	8h7	M20x1.5	M16*
A-AV-10-F_20	Adapter M20m/M20m-D16						M20x1.5
A-AV-10-F_27	Adapter M27m/M20m-D16						M27x2

*Available M16x1,5



Clamping collar for AV-10 couplings

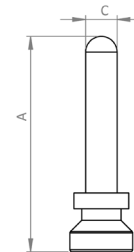


Code	Description	A	B	C	D	E
		mm				
SEM1559LIT	Collar D35 M12 - AF					M12
SEM1560LIT*	Collar D35 M16 - AF	35	30	8	4	M16*
SEM1561LIT	Collar D35 M20 - AF					M20x1.5

*Available M16x1,5

Lock pin for AV-10 couplings

Code	Description	A	B	C	D
		mm			
SEM1562LIT	Lock pin	55	8h7	16	36



Al fine di migliorare le prestazioni tecniche del prodotto, la società si riserva di apportare variazioni senza preavviso.
In order to improve the technical performances of the product, the company reserves the right to make any change without notice.

DRC Srl
PRODUCTION and SALES

Via Montesicuro, 58/B - 60131 Ancona (Italy)
Tel (+39) 071 80 36 077

GENERAL INFORMATION
info@litem.info

www.litem.info